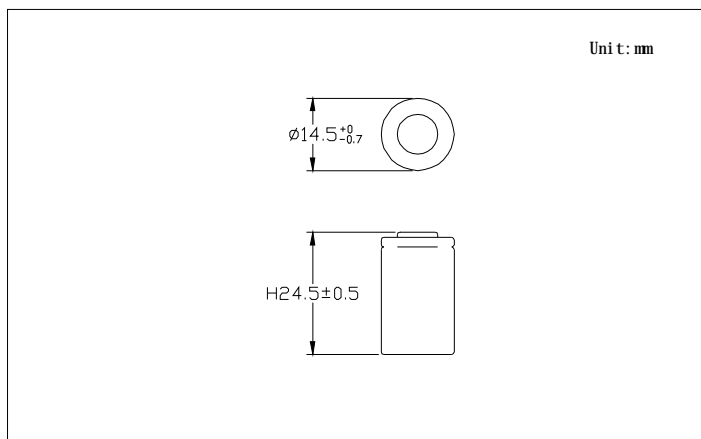


Data Sheet for SN-1/2AA60H

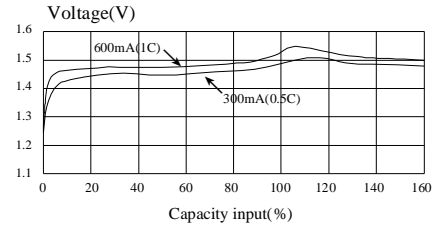
Specifications

Type	Rechargeable Nickel Metal Hydride Cylindrical Cell	
Model	SN-1/2AA60H	
Nominal Voltage	1.2V	
Applications	60-1800mA(Recommended Discharge Current)	
Capacity	when discharge at 120mA to 1.0V at 20 °C	
	Nominal	600mAh
	Minimum	580mAh
Dimensions	Diameter	14.5 \pm 0.7 mm
	Height	24.5 \pm 0.5mm
Charge Condition	60mA for 16hrs at 20 °C	
Rapid Charge	300mA to 600mA (0.5C to 1C) Charge termination control recommended control parameters: Timer CutOff =120% - Δ V= 5-10mV/cell dT/dt = 1~2°C/3min Temp. CutOff = 50°C (122° F) Ta=10~45°C	
Internal Resistance	Average45m Ω upon fully charged (Range 35-55m Ω) at 1000Hz	
Service Life(IEC standard)	\geq 500 cycles	
Weight	About 11.0g	
Ambient Temperature	Standard Charging	0°C to 45°C
	Fast Charging	10°C to 45°C
	Discharging	-20°C to 65°C
	Storage	-20°C to 35°C

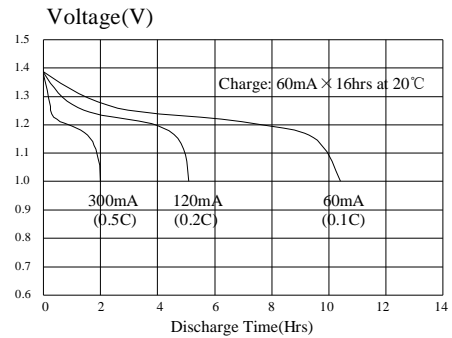


Characteristics

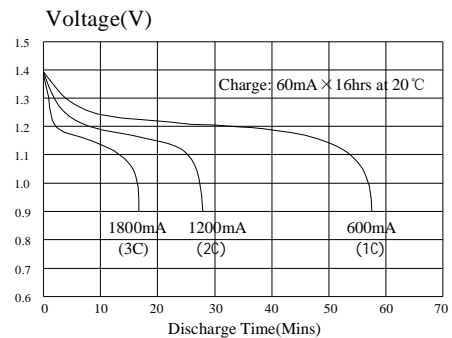
Fast Charge (Charge control required)



Low Rate Discharge



High Rate Discharge



Note:

1. Nominal capacity rated at 0.2C, 20° C.
2. The above information is generally descriptive only and is not intended as guarantee or warranty cell and battery specifications are subject to change without notice. All descriptions or warranties are contained solely in specification sheets accompanying formal offers. Please consult SANIK for conditions of application outside those described in this document.

SANIK BATTERY CO.,LTD.