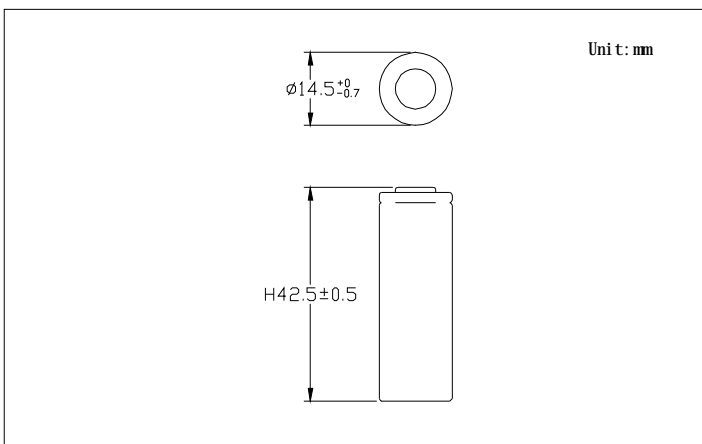


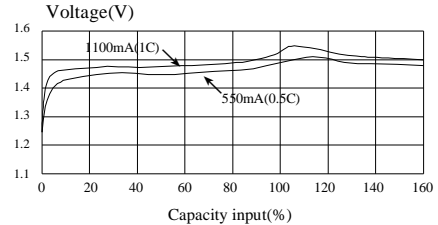
## Data Sheet for SN-4/5AA110H

Specifications		
Type	Rechargeable Nickel Metal Hydride Cylindrical Cell	
Model	SN-4/5AA110H	
Nominal Voltage	1.2V	
Applications	110-3300mA(Recommended Discharge Current)	
Capacity	when discharge at 220mA to 1.0V at 20°C	
	Nominal	1100mAh
	Minimum	1065mAh
Dimensions	Diameter	14.5 $\pm$ 0.7 mm
	Height	42.5 $\pm$ 0.5mm
Charge Condition	110mA for 16hrs at 20°C	
Rapid Charge	550mA to 1100mA (0.5C to 1C) Charge termination control recommended control parameters: Timer CutOff =120% - $\Delta$ V= 5-10mV/cell dT/dt = 1~2°C/3min Temp. CutOff = 50°C (122° F) Ta=10~45°C	
Internal Resistance	Average30m $\Omega$ upon fully charged (Range 20-40m $\Omega$ ) at 1000Hz	
Service Life(IEC standard)	$\geq$ 500 cycles	
Weight	About 20.0g	
Ambient Temperature	Standard Charging	0°C to 45°C
	Fast Charging	10°C to 45°C
	Discharging	-20°C to 65°C
	Storage	-20°C to 35°C

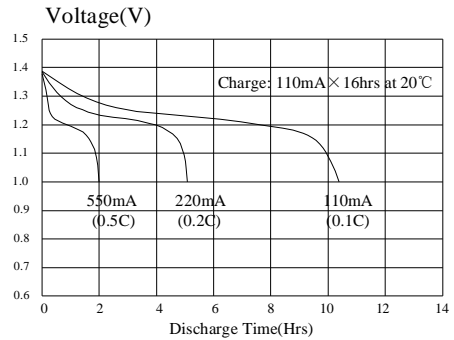


## Characteristics

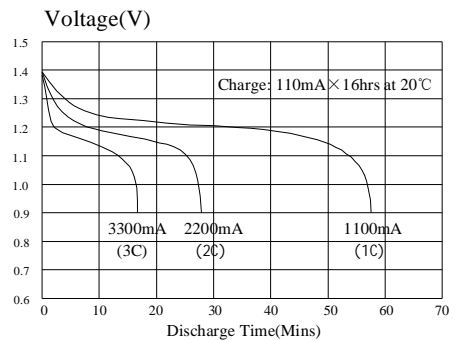
### Fast Charge (Charge control required)



### Low Rate Discharge



### High Rate Discharge



### Note:

1. Nominal capacity rated at 0.2C, 20° C.
2. The above information is generally descriptive only and is not intended as guarantee or warranty cell and battery specifications are subject to change without notice. All descriptions or warranties are contained solely in specification sheets accompanying formal offers. Please consult SANIK for conditions of application outside those described in this document.