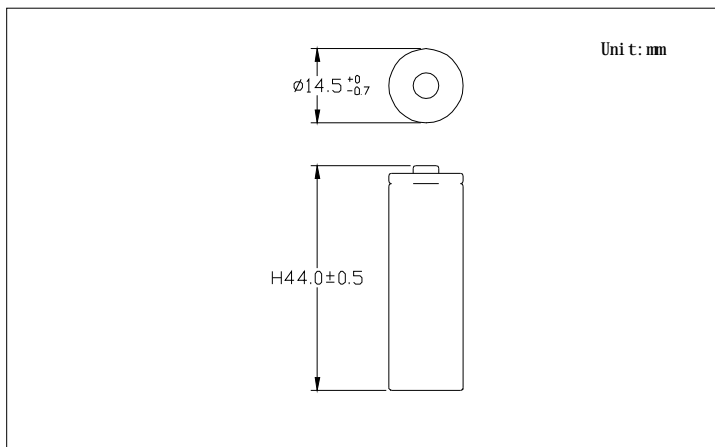


## Data Sheet for SN-4/5AA130H

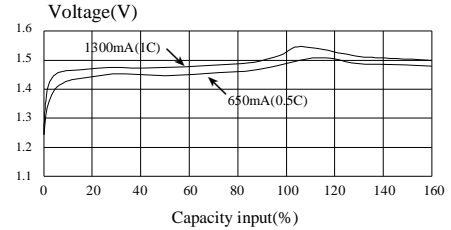
### Specifications

Type	Rechargeable Nickel Metal Hydride Cylindrical Cell	
Model	SN-4/5AA130H	
Nominal Voltage	1.2V	
Applications	130-3900mA(Recommended Discharge Current)	
Capacity	when discharge at 260mA to 1.0V at 20°C	
	Nominal	1300mAh
	Minimum	1260mAh
Dimensions	Diameter	14.5 $\pm 0.7$ mm
	Height	44.0 $\pm 0.5$ mm
Charge Condition	130mA for 16hrs at 20°C	
Rapid Charge	650mA to 1300mA (0.5C to 1C) Charge termination control recommended control parameters: Timer CutOff = 120% $-\Delta V = 5-10\text{mV/cell}$ $dT/dt = 1\sim 2^\circ\text{C}/3\text{min}$ Temp. CutOff = 50°C (122° F) Ta=10~45°C	
Internal Resistance	Average 25mΩ upon fully charged (Range 15-40mΩ ) at 1000Hz	
Service Life(IEC standard)	$\geq 500$ cycles	
Weight	About 24.5g	
Ambient Temperature	Standard Charging	0°C to 45°C
	Fast Charging	10°C to 45°C
	Discharging	-20°C to 65°C
	Storage	-20°C to 35°C

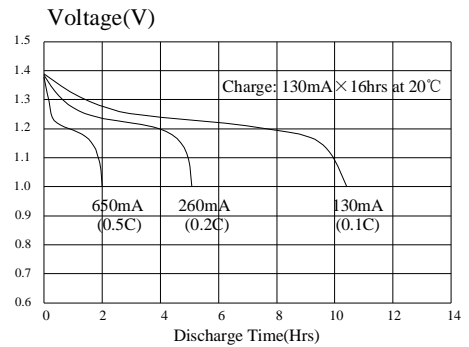


### Characteristics

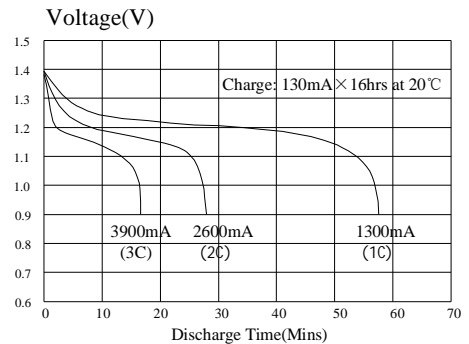
#### Fast Charge (Charge control required)



#### Low Rate Discharge



#### High Rate Discharge



#### Note:

1. Nominal capacity rated at 0.2C, 20° C.
2. The above information is generally descriptive only and is not intended as guarantee or warranty cell and battery specifications are subject to change without notice. All descriptions or warranties are contained solely in specification sheets accompanying formal offers. Please consult SANIK for conditions of application outside those described in this document.