

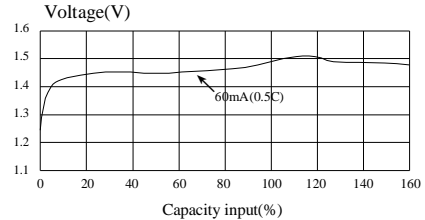
Data Sheet for SN-1/4AAA12HP

Specifications

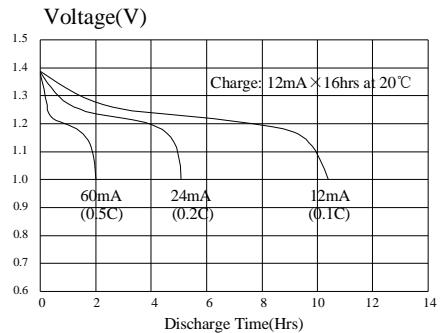
Type	Rechargeable Nickel Metal Hydride Cylindrical Cell	
Model	SN-1/4AAA12HP	
Nominal Voltage	1.2V	
Applications	12-1200mA(Recommended Discharge Current)	
Capacity	when discharge at 24mA to 1.0V at 20°C	
	Nominal	120mAh
Dimensions	Diameter	10.5 \pm 0.7 mm
	Height	14.5 \pm 0.5mm
Charge Condition	12mA for 16hrs at 20°C	
Rapid Charge	60mA(0.5C) Charge termination control recommended control parameters: Timer CutOff =105% $-\Delta V = 5-10mV/cell$ $dT/dt = 1\sim 2^{\circ}C/3min$ Temp. CutOff = 50°C (122° F) Ta=10~45°C	
Internal Resistance	Average 50mΩ upon fully charged (Range 40-60mΩ) at 1000Hz	
Service Life(IEC standard)	≥ 500 cycles	
Weight	About 4.0g	
Ambient Temperature	Standard Charging	0°C to 45°C
	Fast Charging	10°C to 45°C
	Discharging	-20°C to 65°C
	Storage	-20°C to 35°C

Characteristics

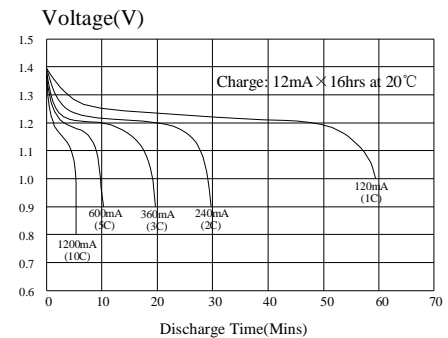
Fast Charge (Charge control required)



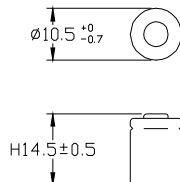
Low Rate Discharge



High Rate Discharge



Unit: mm



Note:

1. Nominal capacity rated at 0.2C, 20° C.
 2. The above information is generally descriptive only and is not intended as guarantee or warranty cell and battery specifications are subject to change without notice. All descriptions or warranties are contained solely in specification sheets accompanying formal offers.
- Please consult SANIK for conditions of application outside those described in this document.

SANIK BATTERY CO.,LTD.