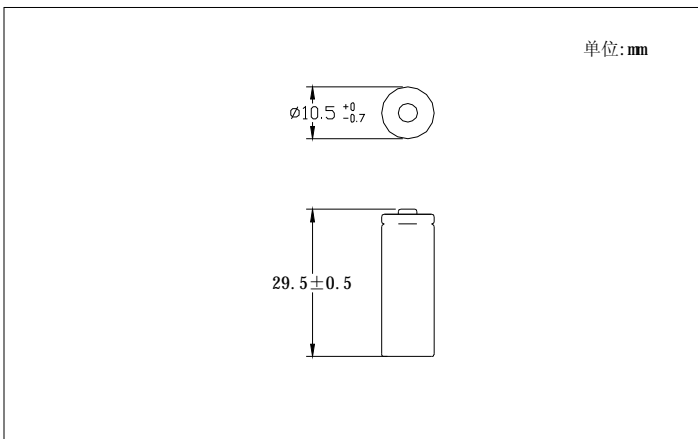


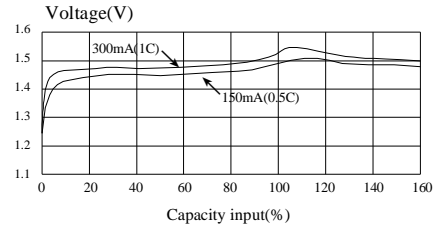
Data Sheet for SN-2/3AAA30H

Specifications		
Type	Rechargeable Nickel Metal Hydride Cylindrical Cell	
Model	SN-2/3AAA30H	
Nominal Voltage	1.2V	
Applications	30-900mA(Recommended Discharge Current)	
Capacity	when discharge at 60mA to 1.0V at 20°C	
	Nominal	300mAh
	Minimum	290mAh
Dimensions	Diameter	10.5 \pm 0.7 mm
	Height	29.5 \pm 0.5mm
Charge Condition	30mA for 16hrs at 20°C	
Rapid Charge	150mA to 300mA(0.5C to 1C) Charge termination control recommended control parameters: Timer CutOff =120% - ΔV = 5-10mV/cell dT/dt= 1~2°C/3min Temp. CutOff = 50°C (122° F) Ta=10~45°C	
Internal Resistance	Average45mΩ upon fully charged (Range 30-60mΩ) at 1000Hz	
Service Life(IEC standard)	\geq 500 cycles	
Weight	About 7.0g	
Ambient Temperature	Standard Charging	0°C to 45°C
	Fast Charging	10°C to 45°C
	Discharging	-20°C to 65°C
	Storage	-20°C to 35°C

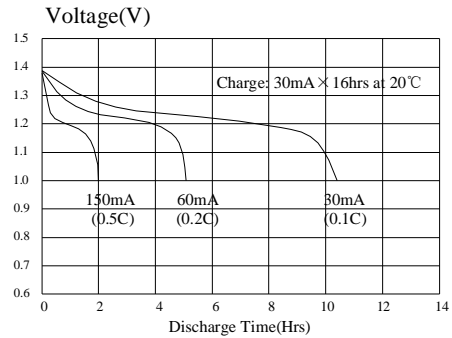


Characteristics

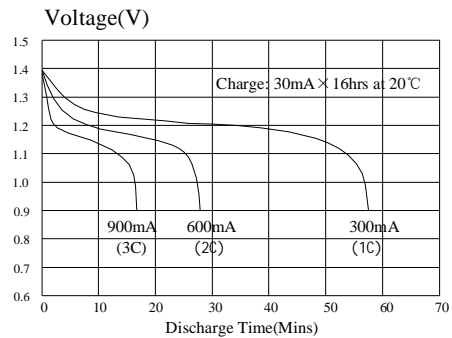
Fast Charge (Charge control required)



Low Rate Discharge



High Rate Discharge



Note:

1. Nominal capacity rated at 0.2C, 20° C.
2. The above information is generally descriptive only and is not intended as guarantee or warranty cell and battery specifications are subject to change without notice. All descriptions or warranties are contained solely in specification sheets accompanying formal offers. Please consult SANIK for conditions of application outside those described in this document.