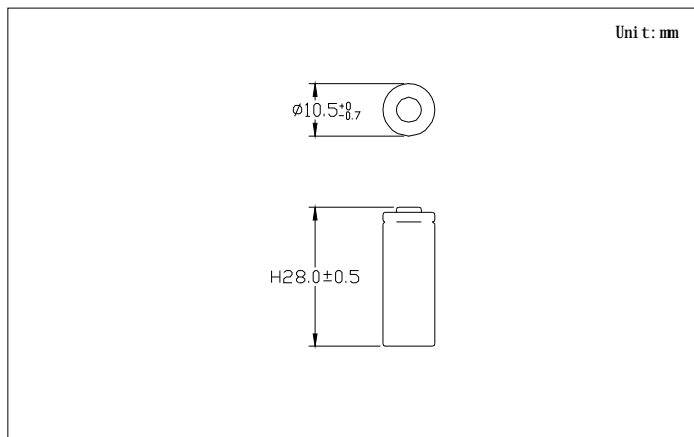


Data Sheet for SN-2/3AAA30HP

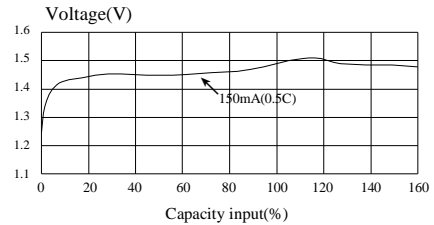
Specifications

| | | |
|----------------------------|--|--|
| Type | Rechargeable Nickel Metal Hydride Cylindrical Cell | |
| Model | SN-2/3AAA30HP | |
| Nominal Voltage | 1.2V | |
| Applications | 30-3000mA(Recommended Discharge Current) | |
| Capacity | when discharge at 60mA to 1.0V at 20 °C | |
| | Nominal | 300mAh |
| | Minimum | 290mAh |
| Dimensions | Diameter | 10.5 $\begin{smallmatrix} +0 \\ -0.7 \end{smallmatrix}$ mm |
| | Height | 28.0 \pm 0.5mm |
| Charge Condition | 30mA for 16hrs at 20 °C | |
| Rapid Charge | 150mA(0.5C) Charge termination control recommended control parameters: Timer CutOff =105% $-\Delta V = 5-10\text{mV/cell}$ $dT/dt = 1 \sim 2^{\circ}\text{C}/3\text{min}$ Temp. CutOff = 50 °C (122 ° F) Ta=10~45°C | |
| Internal Resistance | Average20m Ω upon fully charged (Range 15-25m Ω) at 1000Hz | |
| Service Life(IEC standard) | \geq 500 cycles | |
| Weight | About 7.5g | |
| Ambient Temperature | Standard Charging | 0°C to 45°C |
| | Fast Charging | 10°C to 45°C |
| | Discharging | -20°C to 65°C |
| | Storage | -20°C to 35°C |

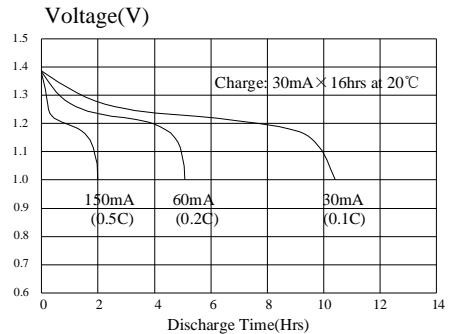


Characteristics

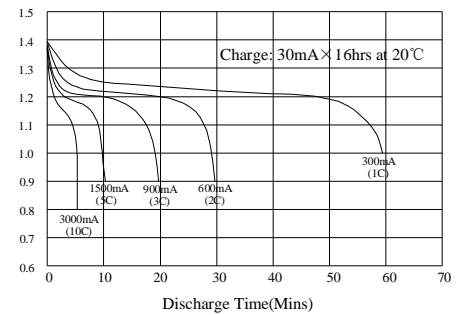
Fast Charge (Charge control required)



Low Rate Discharge



High Rate Discharge



Note:

1. Nominal capacity rated at 0.2C, 20 ° C.
2. The above information is generally descriptive only and is not intended as guarantee or warranty cell and battery specifications are subject to change without notice. All descriptions or warranties are contained solely in specification sheets accompanying formal offers.

Please consult SANIK for conditions of application outside those described in this document.

SANIK BATTERY CO.,LTD.