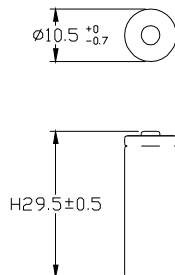


Data Sheet for SN-2/3AAA35H

Specifications

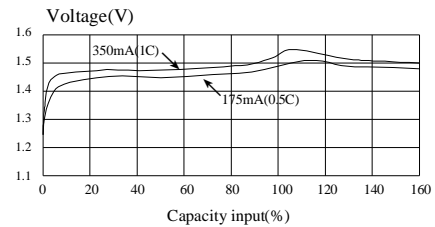
| | | |
|----------------------------|--|-------------------|
| Type | Rechargeable Nickel Metal Hydride Cylindrical Cell | |
| Model | SN-2/3AAA35H | |
| Nominal Voltage | 1.2V | |
| Applications | 35-1050mA(Recommended Discharge Current) | |
| Capacity | when discharge at 70mA to 1.0V at 20 °C | |
| | Nominal | 350mAh |
| | Minimum | 340mAh |
| Dimensions | Diameter | 10.5 \pm 0.7 mm |
| | Height | 29.5 \pm 0.5mm |
| Charge Condition | 35mA for 16hrs at 20 °C | |
| Rapid Charge | 175mA to 350mA(0.5C to 1C) Charge termination control recommended control parameters: Timer CutOff =120% - ΔV = 5-10mV/cell dT/dt= 1~2 °C/3min Temp. CutOff = 50 °C (122 ° F) Ta=10~45 °C | |
| Internal Resistance | Average40m Ω upon fully charged (Range 30-55m Ω) at 1000Hz | |
| Service Life(IEC standard) | | \geq 500 cycles |
| Weight | | About 7.5g |
| Ambient Temperature | Standard Charging | 0 °C to 45 °C |
| | Fast Charging | 10 °C to 45 °C |
| | Discharging | -20 °C to 65 °C |
| | Storage | -20 °C to 35 °C |

Unit: mm

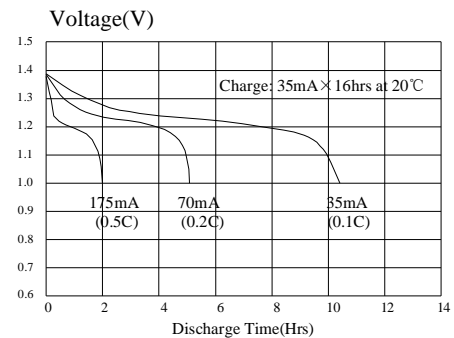


Characteristics

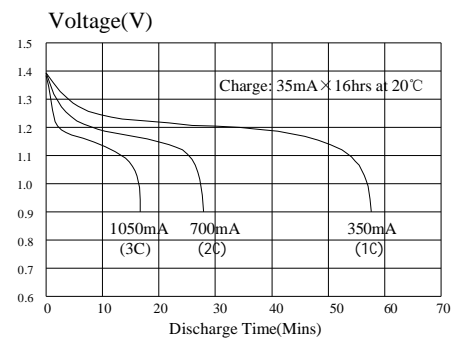
Fast Charge (Charge control required)



Low Rate Discharge



High Rate Discharge



Note:

- 1.Nominal capacity rated at 0.2C,20 ° C.
- 2.The above information is generally descriptive only and is not intended as guarantee or warranty cell and battery specifications are subject to change without notice. All descriptions or warranties are contained solely in specification sheets accompanying formal offers.
Please consult SANIK for conditions of application outside those described in this document.

SANIK BATTERY CO.,LTD.