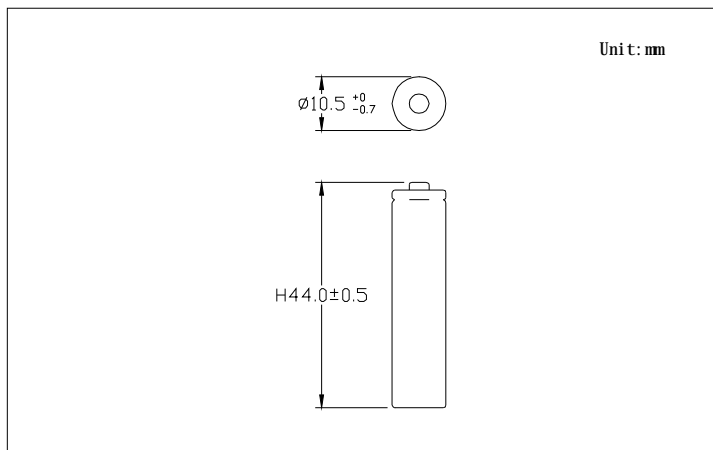


## Data Sheet for SN-AAA55H

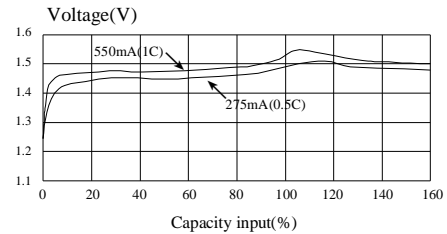
### Specifications

Type	Rechargeable Nickel Metal Hydride Cylindrical Cell	
Model	SN-AAA55H	
Nominal Voltage	1.2V	
Applications	55-1650mA(Recommended Discharge Current)	
Capacity	when discharge at 110mA to 1.0V at 20 °C	
	Nominal	550mAh
	Minimum	535mAh
Dimensions	Diameter	10.5 $\pm 0.7$ mm
	Height	44.0 $\pm 0.5$ mm
Charge Condition	55mA for 16hrs at 20 °C	
Rapid Charge	275mA to 550mA (0.5C to 1C) Charge termination control recommended control parameters: Timer CutOff =120% - $\Delta V = 5-10$ mV/cell $dT/dt = 1 \sim 2^{\circ}C/3min$ Temp. CutOff = 50 °C (122° F) $T_a = 10 \sim 45^{\circ}C$	
Internal Resistance	Average 40m $\Omega$ upon fully charged (Range 35-55m $\Omega$ ) at 1000Hz	
Service Life(IEC standard)	$\geq 500$ cycles	
Weight	About 11.0g	
Ambient Temperature	Standard Charging	0°C to 45°C
	Fast Charging	10°C to 45°C
	Discharging	-20°C to 65°C
	Storage	-20°C to 35°C

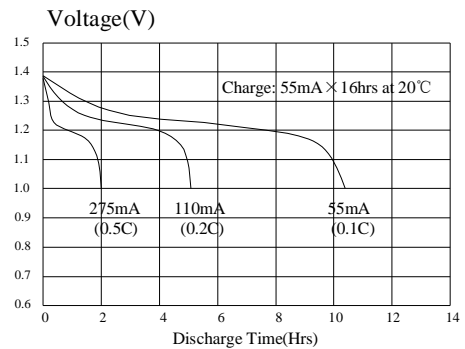


### Characteristics

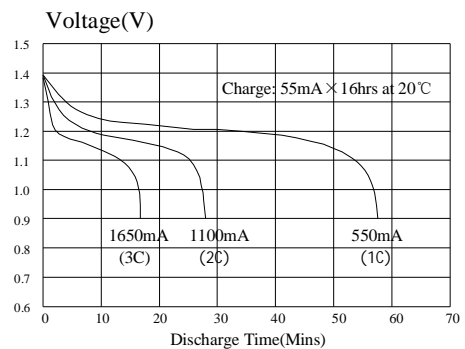
#### Fast Charge (Charge control required)



#### Low Rate Discharge



#### High Rate Discharge



#### Note:

1. Nominal capacity rated at 0.2C, 20° C.
  2. The above information is generally descriptive only and is not intended as guarantee or warranty cell and battery specifications are subject to change without notice. All descriptions or warranties are contained solely in specification sheets accompanying formal offers.
- Please consult SANIK for conditions of application outside those described in this document.