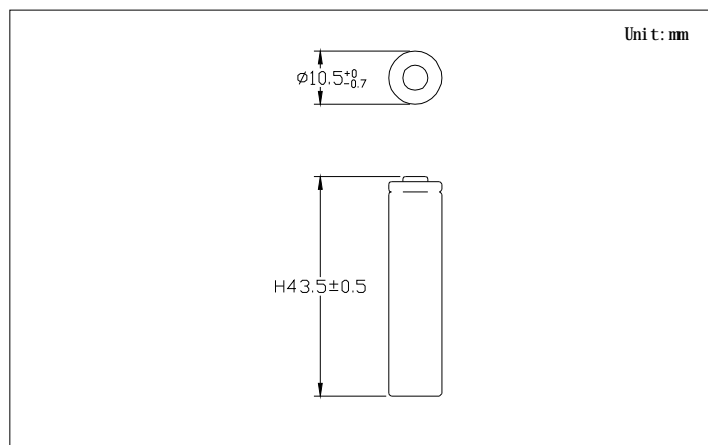


## Data Sheet for SN-AAA60HP

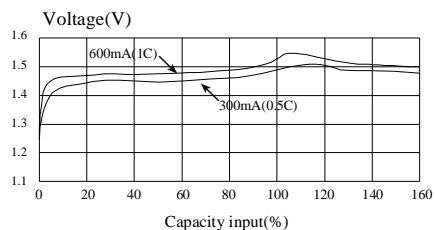
### Specifications

Type	Rechargeable Nickel Metal Hydride Cylindrical Cell	
Model	SN-AAA60HP	
Nominal Voltage	1.2V	
Applications	60-6000mA(Recommended Discharge Current)	
Capacity	when discharge at 120mA to 1.0V at 20°C	
	Nominal	600mAh
Dimensions	Diameter	10.5 <sup>+0</sup> <sub>-0.7</sub> mm
	Height	43.5±0.5mm
Charge Condition	60mA for 16hrs at 20°C	
Rapid Charge	300mA to 600mA(0.5C to 1C) Charge termination control recommended control parameters: Timer CutOff =120% -ΔV= 5-10mV/cell dT/dt = 1~2°C/3min Temp. CutOff = 50°C (122° F) Ta=10~45°C	
Internal Resistance	Average15mΩ upon fully charged (Range 10-20mΩ) at 1000Hz	
Service Life(IEC standard)	≥500 cycles	
Weight	About 12.5g	
Ambient Temperature	Standard Charging	0°C to 45°C
	Fast Charging	10°C to 45°C
	Discharging	-20°C to 65°C
	Storage	-20°C to 35°C

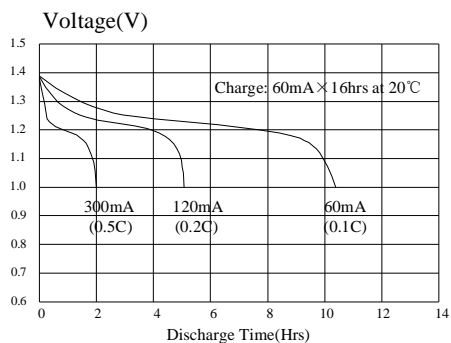


### Characteristics

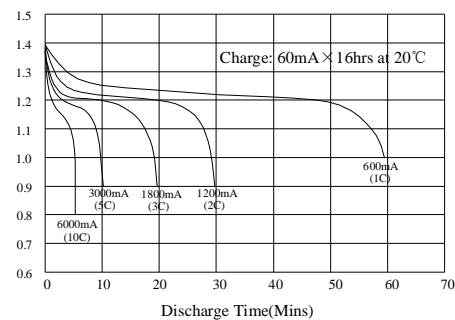
#### Fast Charge (Charge control required)



#### Low Rate Discharge



#### High Rate Discharge



#### Note:

- 1.Nominal capacity rated at 0.2C,20° C.
- 2.The above information is generally descriptive only and is not intended as guarantee or warranty cell and battery specifications are subject to change without notice. All descriptions or warranties are contained solely in specification sheets accompanying formal offers.  
Please consult SANIK for conditions of application outside those described in this document.

SANIK BATTERY CO.,LTD.