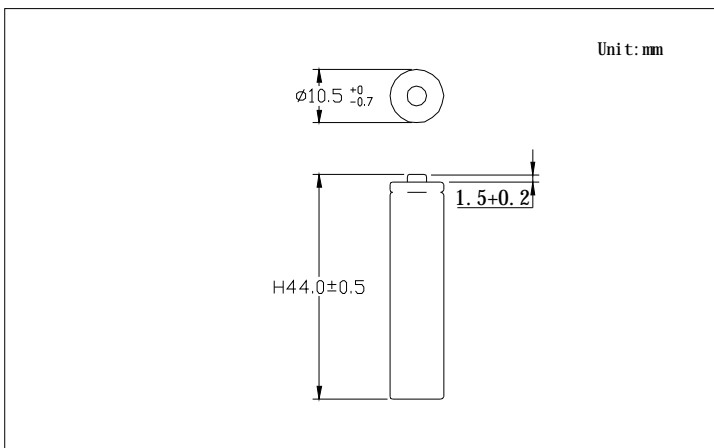


## Data Sheet for SN-AAA65H

Specifications		
Type	Rechargeable Nickel Metal Hydride Cylindrical Cell	
Model	SN-AAA65H	
Nominal Voltage	1.2V	
Applications	65-1950mA(Recommended Discharge Current)	
Capacity	when discharge at 130mA to 1.0V at 20°C	
	Nominal	650mAh
	Minimum	630mAh
Dimensions	Diameter	10.5 $\pm$ 0.7 mm
	Height	44.0 $\pm$ 0.5mm
Charge Condition	65mA for 16hrs at 20°C	
Rapid Charge	325mA to 650mA(0.5C to 1C) Charge termination control recommended control parameters: Timer CutOff =120% - $\Delta V = 5-10mV/cell$ $dT/dt = 1\sim 2^{\circ}C/3min$ Temp. CutOff = 50°C (122° F) Ta=10~45°C	
Internal Resistance	Average 35m $\Omega$ upon fully charged (Range 20-50m $\Omega$ ) at 1000Hz	
Service Life(IEC standard)	$\geq 500$ cycles	
Weight	About 12.0g	
Ambient Temperature	Standard Charging	0°C to 45°C
	Fast Charging	10°C to 45°C
	Discharging	-20°C to 65°C
	Storage	-20°C to 35°C



Characteristics	
Fast Charge (Charge control required)	
Low Rate Discharge	
High Rate Discharge	

Note:

- Nominal capacity rated at 0.2C, 20° C.
- The above information is generally descriptive only and is not intended as guarantee or warranty cell and battery specifications are subject to change without notice. All descriptions or warranties are contained solely in specification sheets accompanying formal offers. Please consult SANIK for conditions of application outside those described in this document.