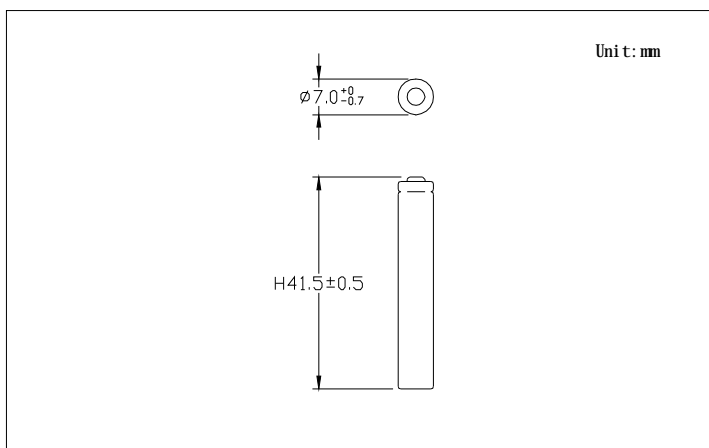


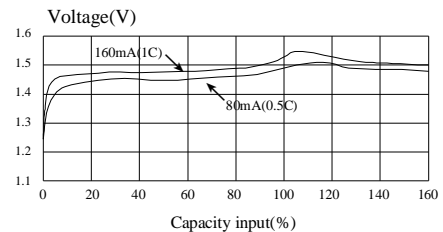
Data Sheet for SN-AAAAA16H

Specifications		
Type	Rechargeable Nickel Metal Hydride Cylindrical Cell	
Model	SN-AAAAA16H	
Nominal Voltage	1.2V	
Applications	16-480mA(Recommended Discharge Current)	
Capacity	when discharge at 32mA to 1.0V at 20°C	
	Nominal	160mAh
	Minimum	155mAh
Dimensions	Diameter	7.0 ⁺⁰ _{-0.7} mm
	Height	41.5±0.5mm
Charge Condition	16mA for 16hrs at 20°C	
Rapid Charge	80mA to 160mA (0.5C to 1C) Charge termination control recommended control parameters: Timer CutOff =120% -ΔV= 5-10mV/cell dT/dt= 1~2°C/3min Temp. CutOff = 50°C (122° F) Ta=10~45°C	
Internal Resistance	Average30mΩ upon fully charged (Range 20-40mΩ) at 1000Hz	
Service Life(IEC standard)	≥500 cycles	
Weight	About 4.5g	
Ambient Temperature	Standard Charging	0°C to 45°C
	Fast Charging	10°C to 45°C
	Discharging	-20°C to 65°C
	Storage	-20°C to 35°C

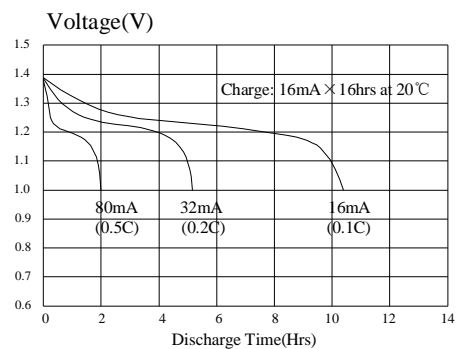


Characteristics

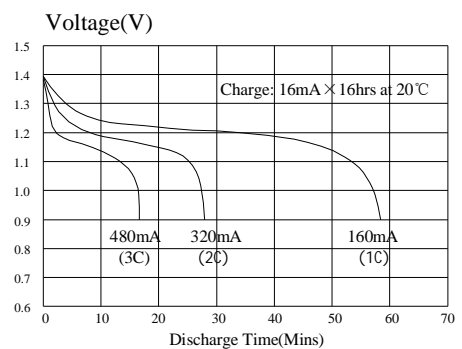
Fast Charge (Charge control required)



Low Rate Discharge



High Rate Discharge



Note:

- 1.Nominal capacity rated at 0.2C,20° C.
- 2.The above information is generally descriptive only and is not intended as guarantee or warranty cell and battery specifications are subject to change without notice. All descriptions or warranties are contained solely in specification sheets accompanying formal offers.
Please consult SANIK for conditions of application outside those described in this document.